

Horizon

VAC-60H

Deep Pile
Air Suction Collator



ST-20+VAC-60Ha+VAC-60Hc+PJ-77R

Adding more efficiency and productivity to the well-established VAC-100, the VAC-60H will maximize your profits.

- **Module Configuration and Features**
 Tower a : Front module with the touch-screen display.
 Tower m : Extension module without the touch-screen display.
 Tower c : Rear module with the touch-screen display.
 (necessary for right side delivery)



HTS-30+SPF-30+ACF-30+HOF-30+VAC-60H (36 bins)

Features

- ▶ **Bin Pile Height 130 mm (5.11")**
 Maximum pile height is 130 mm, enabling the system to run more than 15 minutes when collating 80 gsm normal paper. (with bookletmaker attached)
- ▶ **Suction Rotor Feeding**
 Horizon's unique suction rotor feeding system operates effectively on a wide variety of paper stocks. Even signatures can be fed consistently.
- ▶ **High Speed Collating**
 Maximum production speed is 9,900 sets/hr. (A5LEF, Straight Receiving)
- ▶ **System Expansion**
 Expandable up to 6 towers, 36 feed bins. The VAC-60H can be connected with Horizon SPF-20/FC-20 series and the StitchLiner5500 to form a complete in-line bookletmaking system.
- ▶ **Touch-screen Display**
 All operations can be performed via the user-friendly touch-screen display. The remote control allows for monitoring system operation while loading or unloading the system, and is provided as standard equipment.

Functions

- ▶ **Air Blower OFF for Unused Bin**
 Air blower on unused bins is shut off automatically to reduce sheet drying or curling.
- ▶ **Self-locking Sheet Guide**
 A single arm sheet guide system is self-locking as soon as the machine starts. This innovative system saves time in setting up the bins.
- ▶ **Program Collation**
 The VAC-60H is equipped with advanced programming functions such as Double Cycle, Dual Cover Feed, and Preset Tabbing.

Continuous Uptime Comparison of VAC-60H with VAC-100

High Capacity = Continuous Collating

VAC-60H bin loading time is reduced, and the operator has ample time to prepare stock for reloading.

	VAC-100	VAC-60H	Gain
Max. Bin Capacity	55 mm (2.16")	130 mm (5.11")	36 %
Continuous Collating*	6.5 min	15.6 min	40 %

* 5,000 cycles/hr., using 80 gsm normal paper for both VAC-60H and VAC-100.

Adding more efficiency and productivity to the well-established VAC-100, the VAC-60H will maximize your profits.



HTS-30+SPF-30+ACF-30+HOF-30+VAC-60H (36 bins)

- Module Configuration and Features**
- Tower a : Front module with the touch-screen display.
- Tower m : Extension module without the touch-screen display.
- Tower c : Rear module with the touch-screen display. (necessary for right side delivery)

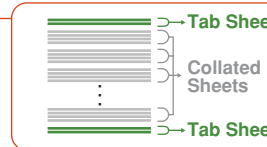
User-friendly Touch-screen Display



- The graphical user interface allows anyone to operate the VAC-60H, without any special skills or training.
- Mis-feeding, double feeding, and jamming are detected by opacity sensors on each bin. Up to 8 feed error history can be monitored on the screen.
- All operating errors or jams are graphically illustrated on the screen for easy identification and quick resolution.
- All important operating functions are centralized on the remote control for operator convenience. The remote allows the operator to monitor system operations while loading or unloading the system.

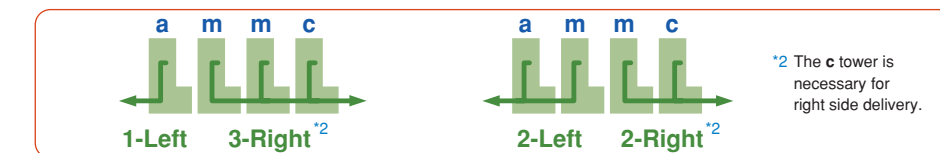
Efficient Programming Functions

- Double Cycle**
When any bin in the first section empties, the VAC-60H feeding immediately switches over to the second section and continues collating. This maximizes efficiency by giving the operator ample time to prepare stock for reloading.
- Dual Cover Feed**
In dual cover feed mode, the top two bins are prepared for feeding covers. When one cover bin empties, the VAC-60H automatically switches over to the other cover bin.
- Preset Tabbing**
Up to 2 tab sheets can be inserted to every pre-set collation. Suitable for inserting two sheets as a cover and back cover.



Left and Right Side Delivery²

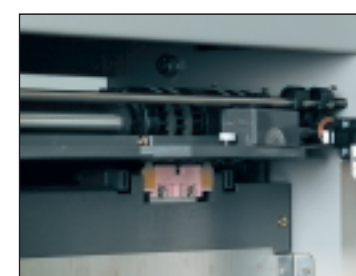
- The operator can run sets into the bookletmaking system at the left side, while at the same time collating straight sets into the receiving tray on the right side of the system.
- The right side delivery is useful for collating reverse-numbering jobs because the sheets are turned over during transport.



Momorize Frequent Job Settings

- Collating speed, type of program used, number of bins used, and sensor sensitivity settings are stored in the system memory for quick restart of regular job.
- Up to 9 different jobs can be memorized.

Reliable Suction Rotor Feeding



- Horizon's unique suction rotor feeding system can feed paper weighing from 52 gsm tissue paper to 208 gsm cardboard.
- The feed wheel employs a special, highly durable rubber for totally mark-less feeding.
- Feed height sensors and air blowers allow a wide range of sheet to be fed.
- The air blower on unused bins is cut off to reduce sheet curling caused by sheet drying.

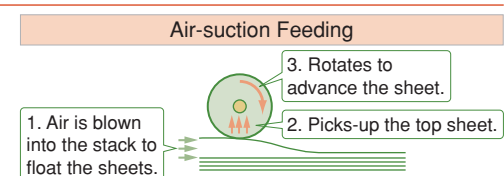
Advanced Bins



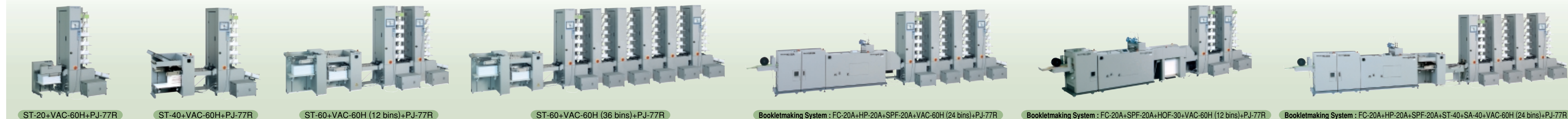
- Maximum pile height is 130 mm (5.11"). Available sheet size is 120 x 148 mm (4.73" x 5.83") to 350 x 500 mm (13.77" x 19.68").
- Newly-developed single arm sheet guide will reduce sheet set-up time in the bins. The sheet guide is self-locked as soon as the machine starts.
- Blower air can be adjusted simply and easily.

What is suction rotor feeding?

Air is blown into the stack to float the sheets. The air rotor then picks-up the top sheet and rotates to advance the sheet.



System Configurations for Collating, Stacking, Stitching and Bookletmaking



ST-20+VAC-60H+PJ-77R

ST-40+VAC-60H+PJ-77R

ST-60+VAC-60H (12 bins)+PJ-77R

ST-60+VAC-60H (36 bins)+PJ-77R

Bookletmaking System : FC-20A+HP-20A+SPF-20A+VAC-60H (24 bins)+PJ-77R

Bookletmaking System : FC-20A+SPF-20A+HOF-30+VAC-60H (12 bins)+PJ-77R

Bookletmaking System : FC-20A+HP-20A+SPF-20A+ST-40+SA-40+VAC-60H (24 bins)+PJ-77R

Receiving Trays

Criss-Cross Receiving Tray
CCR-DX / CCR

Paper Jogger
PJ-77 (PJ-77R)

Stacker Receiving Tray
ST-20 (ST-20R)

Bypass Stacker
ST-40

Finishing Modules

StitchLiner5500
ACF-30+SPF-30+HTS-30

High Speed Off-line Feeder
HOF-30

Bookletmaking System (Hole Punch Unit connected)
FC-20A+HP-20A+SPF-20A

Bookletmaking System
FC-11+SPF-11

Side / Top Stitching Unit
SP-10+CNC+CCR-DX

Corner Stitching Unit
SP-1

Other Options

- C-Tower Kit : **CTK-100**
- Extra Air Blower : **EAB-100**
- Hand-Marry Unit : **HMU-100**

Tandem Stacker
ST-60

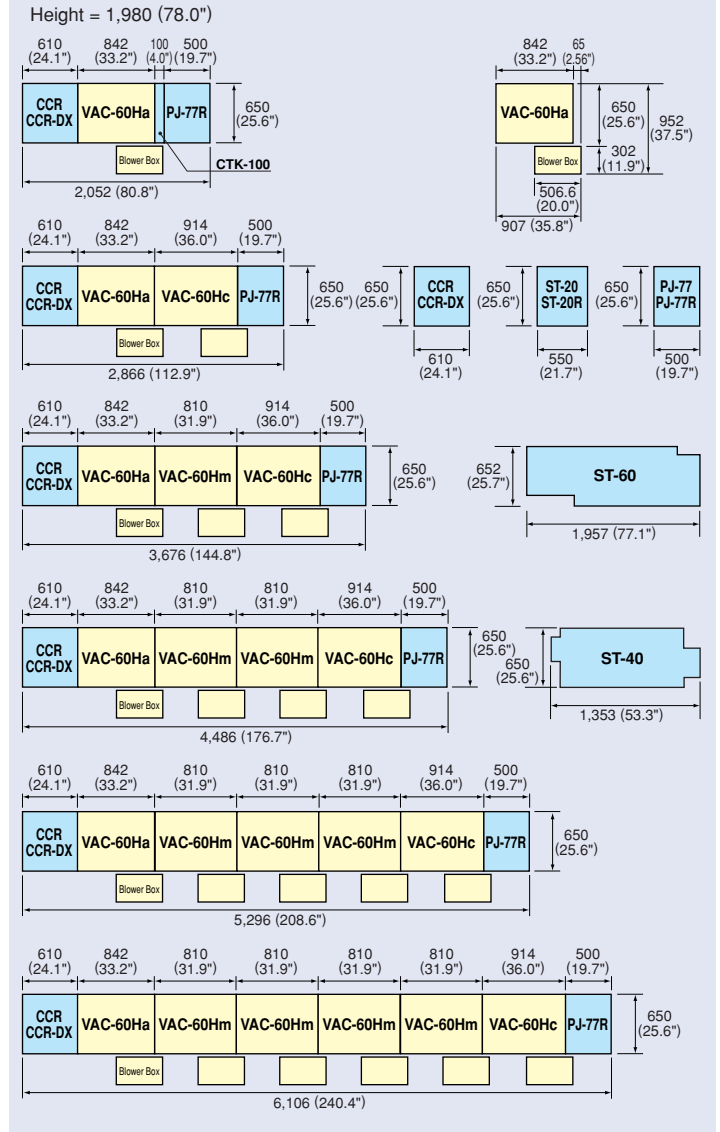
- Bookletmaking System : **SPF-20+FC-20**
- Mail Folder : **MF-1**

VAC-60H Major Specifications

Module Configuration	VAC-60Ha / VAC-60Hm / VAC-60Hc						
Number of Bin	6 bins	12 bins	18 bins	24 bins	30 bins	36 bins	
Sheet Feeding System	Suction Rotor Feeding System						
Sheet Size	Max. 350(W) x 500(L) mm (13.77" x 19.68") Min. 120(W) x 148(L) mm (4.73" x 5.83")						
Sheet Weight Range	52 gsm to 208 gsm						
Bin Pile Height	Max. 130 mm (5.11")						
Sheet Overlap	4 Steps						
Collating Interval	Automatic Setting and Variable Setting						
Production Speed *	Max. 9,900 sets/hr. (A4LEF, Straight Receiving)	Max. 7,000 sets/hr. (A4LEF, Straight Receiving)	Max. 6,600 sets/hr. (A4LEF, Straight Receiving)	Max. 5,000 sets/hr. (A4LEF, Straight Receiving)	Max. 4,500 sets/hr. (A4LEF, Straight Receiving)	Max. 4,000 sets/hr. (A4LEF, Straight Receiving)	
Receiving Tray	Criss-Cross : CCR-DX / CCR, Stacker : ST-60, ST-40, ST-20/20R, Jogger : PJ-77/77R						
Receiving Tray Capacity	Criss-Cross CCR-DX / CCR : A5-A4 170 mm / A4-A3 100 mm Stacker ST-60 : Tray A (R) 360 mm / Tray A (L) 580 mm, ST-40 : 360 mm, ST-20/20R : 320 mm Jogger PJ-77/77R : 90 mm						
Program Collation	Double Cycle / Dual Cover Feed / Preset Tabbing / Block Feed						
Voltage / Frequency	Single Phase 200 V, 50 / 60 Hz 220 V, 50 / 60 Hz 230 / 240 V, 50 Hz						
Rated Current	200 V, 50 / 60 Hz	10.0 A	20.0 A	30.0 A	40.0 A	50.0 A	60.0 A
	220 V, 50 / 60 Hz	10.5 / 10.4 A	21.0 / 20.8 A	31.5 / 31.2 A	42.0 / 41.6 A	52.5 / 52.0 A	63.0 / 62.4 A
	230 V, 50 Hz	10.7 A	21.4 A	32.1 A	42.8 A	53.5 A	64.2 A
Power Consumption	200 V, 50 / 60 Hz	1.4 / 1.6 kW	2.8 / 3.2 kW	4.2 / 4.8 kW	5.6 / 6.4 kW	7.0 / 8.0 kW	8.4 / 9.6 kW
	220 V, 50 / 60 Hz	1.6 kW	3.2 kW	4.8 kW	6.4 kW	8.0 kW	9.6 kW
	230 V, 50 Hz	1.8 kW	3.6 kW	5.4 kW	7.2 kW	9.0 kW	10.8 kW
Heat Output	200 V, 50 / 60 Hz	2,630 kJ (630 kcal)	5,260 kJ (1,260 kcal)	7,890 kJ (1,890 kcal)	10,520 kJ (2,520 kcal)	13,150 kJ (3,150 kcal)	15,780 kJ (3,780 kcal)
	220 V, 50 / 60 Hz	1.2 kW x 1	1.2 kW x 2	1.2 kW x 3	1.2 kW x 4	1.2 kW x 5	1.2 kW x 6
	230 V, 50 Hz	0.4 kW x 1	0.4 kW x 2	0.4 kW x 3	0.4 kW x 4	0.4 kW x 5	0.4 kW x 6
Motors	200 V, 50 / 60 Hz	0.2 kW x 1	0.2 kW x 2	0.2 kW x 3	0.2 kW x 4	0.2 kW x 5	0.2 kW x 6
	220 V, 50 / 60 Hz	0.1 kW x 1	0.1 kW x 2	0.1 kW x 3	0.1 kW x 4	0.1 kW x 5	0.1 kW x 6
	230 V, 50 Hz	60 W x 1	60 W x 2	60 W x 2	60 W x 2	60 W x 2	60 W x 2
Noise Level	82.5 dB						
Machine Weight	Main Body	294 kg (648.3 lb)	588 kg (1,296.6 lb)	882 kg (1,944.9 lb)	1,176 kg (2,593.1 lb)	1,470 kg (3,241.4 lb)	1,764 kg (3,889.7 lb)
	Blower Box	17 kg (37.5 lb)	34 kg (75 lb)	51 kg (112.5 lb)	68 kg (150 lb)	85 kg (187.4 lb)	102 kg (224.9 lb)

* Production speed is limited by the type of finisher and sheet size.

Machine Dimensions Unit : mm (inch)



Manufactured by : Taiyo Seiki Co., Ltd.

The machine design and specifications are subject to change without any notice.

Distributed by



Standard Finishing Systems, 10 Connector Road, Andover, MA 01810 (877) 404-4460 www.standardfinishing.com

HORIZON INTERNATIONAL, INC.

510 Kuze Ooyabu-cho, Minami-ku, Kyoto, 601-8206, Japan Phone : +81-(0)75-934-6700, Fax : +81-(0)75-934-6708, www.horizon.co.jp